

COMBO-D-LUX

Digital timer controlled condensate drain

PRODUCT FEATURES

The COMBO-D-LUX timer controlled condensate drain combines a premium electronic timer controlled drain, a ball valve and a mesh strainer into one compact easy to install package.

Suitable for any flow range and pressures up to 230 PSI, the COMBO-D-LUX is perfect for virtually any compressed air application, especially those with solid particulate contaminants.

With easy to use push button timer settings, a bright digital display, test button and LED lights, the COMBO-D-LUX can be adjusted to open or close for any time period from milliseconds to 99 hours.

There is no application it can't handle. Use it on any compressor, receiver, filter or refrigerated air dryer in any size compressed air system.

The 115VAC version of this drain is supplied with a 6 ft. power cord with plug and the 230VAC version is supplied with a 7 ft. power cord.

COMMERCIAL BENEFITS

- Wide range of time settings from milliseconds to hours.
- Suitable for all compressed air systems up to 230 PSI.
- Dual thread inlet (1/2" and 1/4").
- 12 – 240 VAC/DC voltage options are available.
- Successful draining of all types of condensate (also heavily emulsified condensate).
- Sectional system shut-off during maintenance due to integrated ball valve.
- Operating pressure up to 230 PSI.
- Private labelling possibilities.

TECHNICAL ADVANTAGES

- Digital display with countdown timer and operating status.
- Push button control.
- Application environment up to NEMA4 (IP65).
- Integrated ball valve strainer.
- Cannot be air-locked.
- Direct acting valve assembly, ensuring consistent discharge operation.
- Easy installation and maintenance.



Digital programming

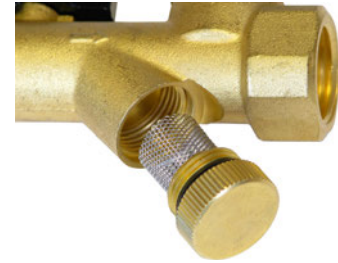
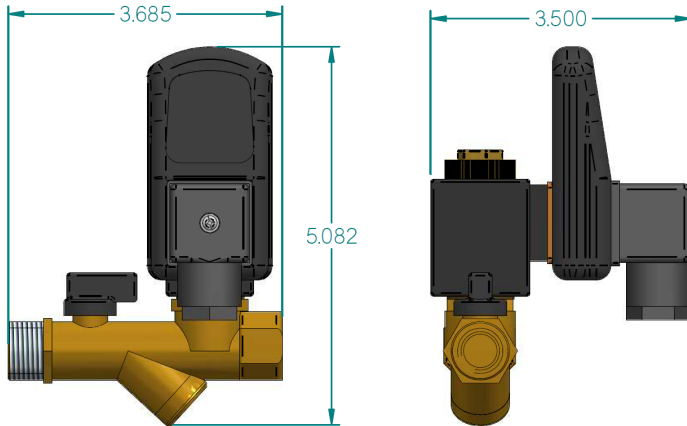
OPPORTUNITY:

Carrying out regular routine draining will reduce contaminations in the compressed air system and will keep production schedules consistent. Simply install a reliable condensate drain.

COMBO-D-LUX

Digital timer controlled condensate drain

DIMENSIONS



COMBO valve with ball valve and strainer

SPECIFICATIONS

TIMER

Interval time	0.01 sec. – 99 hours, adjustable
Discharge time	0.01 sec. – 99 hours, adjustable
Supply voltage options	12 - 240 VAC/DC, 50/60 Hz
Current consumption	4mA maximum
Operating temperature	-40 °F to +122 °F
Environmental protection	NEMA 4 (IP65), when installed
Housing material	ABS plastic FR grade
Connection	DIN 43650A ISO 440/6952
Indicators	1 LED (yellow) indicating ON



Digital display



Digital processor

VALVE

Type	2/2 way direct acting
In/out ports	1/2" (dual inlet port 1/2" & 1/4") NPT
Max. pressure	230 PSI
Min/Max temp.	34 °F/122 °F ambient
Media temp.	Max. 195 °F
Valve body	Forged brass, orifice 4.0 mm
Supply voltage options	12 - 380 VAC/DC, 50/60 Hz (100% ED)
Coil Insulation Grade	H-grade
Valve seal	FPM
Environmental Protection	NEMA4 (IP65)



Dual inlet thread

See coil for correct voltage Voltage tolerance +/- 10%

Information provided herewith is believed to be accurate and reliable. However, no responsibility is assumed for its use or for any infringement of patents or rights of others, which may result from its use. In addition, JORC reserves the right to revise information without notice and without incurring any obligation

JORC Industrial LLC
 1146 River Road
 New Castle, DE 19720
 USA

Tel +1 302-395-0310
 Fax +1 302-395-0312
 e-mail info@jorc.com
 Http:// www.jorc.com

